



JAMAICA BEACH
SUNLOUNGER

+ PRODUCT

- High stability : 6 fulcrum supports - no risk of overturning on slippery floors (Swimming Pool use) or sinking in sand (Beach use)
- High corrosion resistance : robust structure in first quality & recyclable, polypropylene, including anti-UV sunrays protection
- Very comfortable : 4 adjustable backrest positions, horizontal position
- Ease of use & maintenance : Wheels included for easy moving, stackable

Rigid frame in aluminium



38cm height :
down & getting up easier
makes sitting



- Anti-UV sunrays, anti-microbe
- High quality fabric, non-deformable
- Quick drying, easy to clean



Fabric high resistance



Integrated wheels



Polypropylene masse dyed





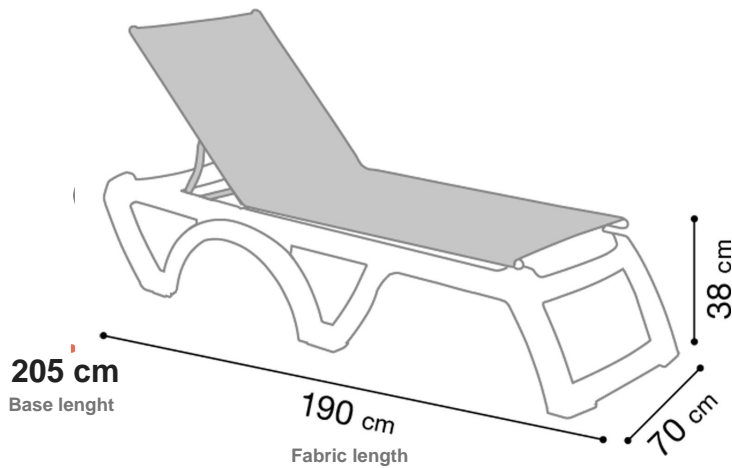
Fabric-frame higher than resin structure on all the length, including the backrest = users' fingers are always protected from getting caught



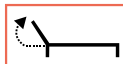
Double arc-shaped aluminium support = double strength of the backrest part. Thanks to the arc shape, head & feet do not rest on metal parts, but directly on the canvas = extra comfort & relax feeling.



Special outdoor PVC fabric tension mechanically inside the aluminum frame = the best way to keep the fabric completely stretched over the years.



+ Aluminium
+ Alluminio
+ Aluminium



x 16

11,6 Kg



White / T22 Turquoise
47 041 004



White / T5 Blu
47 066 004



White / T42 Straw
04 501 004



White Blanc / T23 Beige Dune
47 042 004



White Blanc / T21 Taupe
47 064 004



Taupe / T42 Straw
04 501 181



Taupe / T21 Taupe
47 074 181



Taupe / T2 Capuccino
47 076 181



Charcoal / T42 Straw
04 502 002

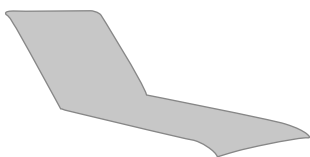


Charcoal / T2 Capuccino
47 072 002



Bronze / T21 Taupe
CT 413 037

FABRIC STRUCTURE



T5 Bleu
ZBV2-SAV



T22 Turquoise
ZBV9-SAV



T2 Capuccino
ZBV8-SAV



T21 Taupe
ZBV6-SAV



T23 Beige Dune
ZBw0-SAV



T42 Straw
ZCI2-SAV

x 1

4,35 Kg

